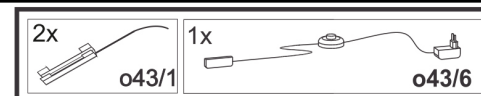
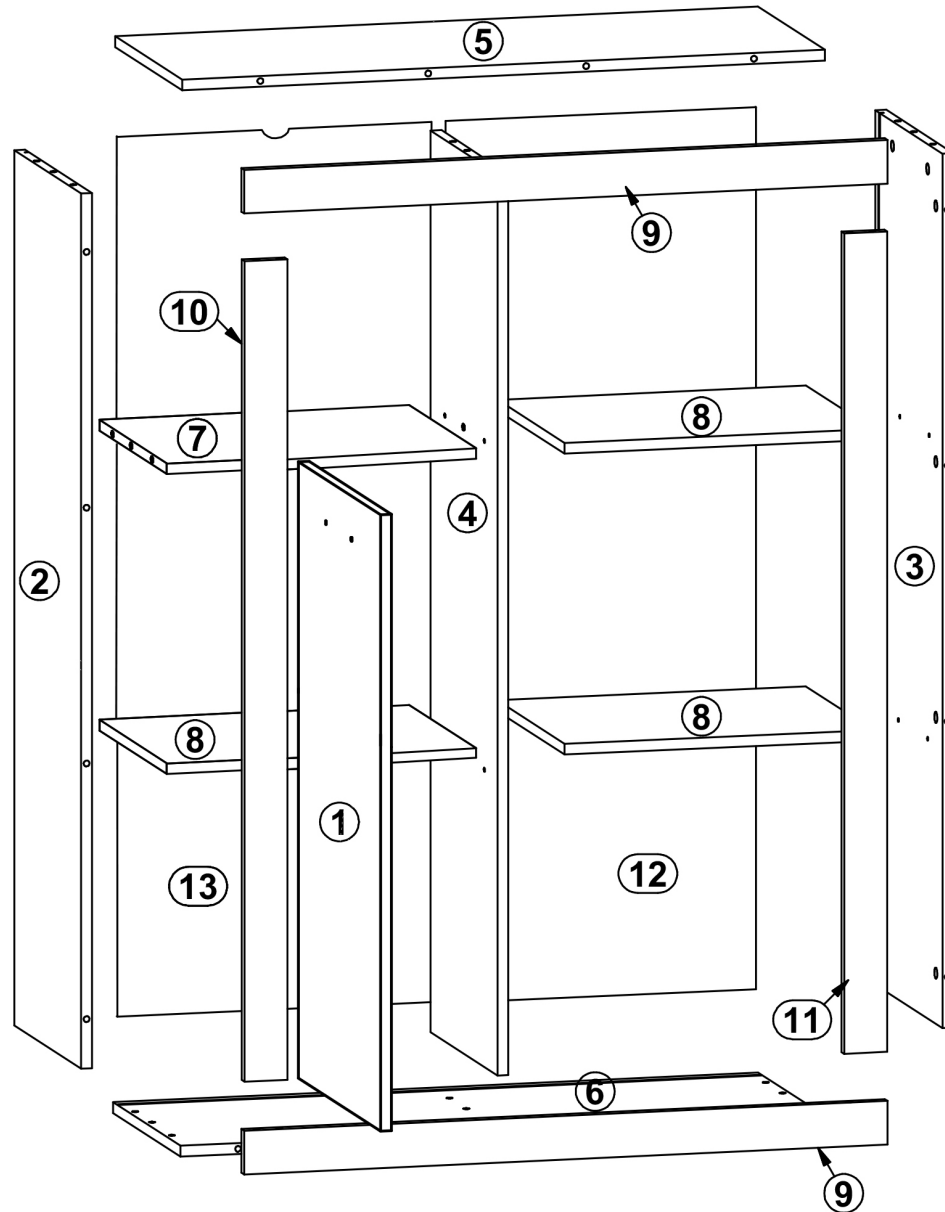
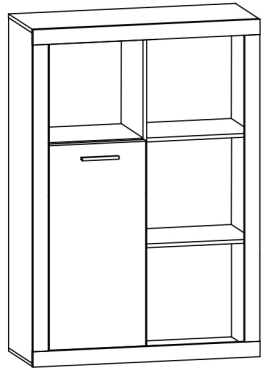


240 min



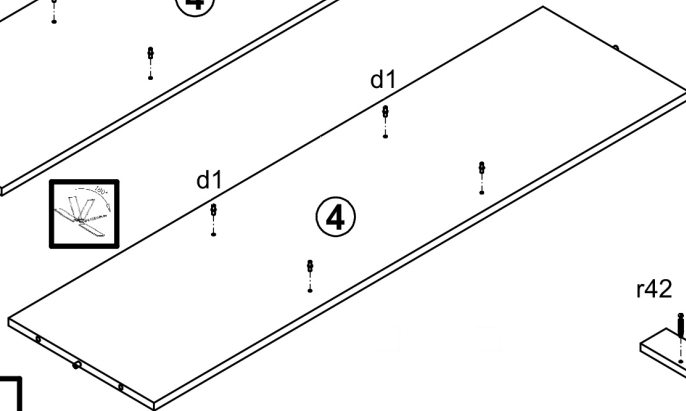
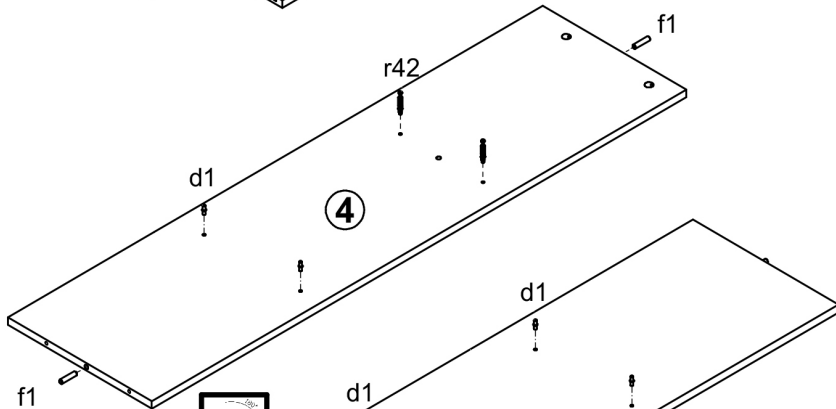
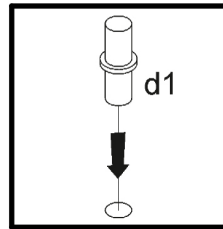
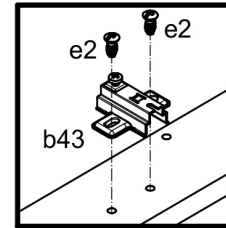
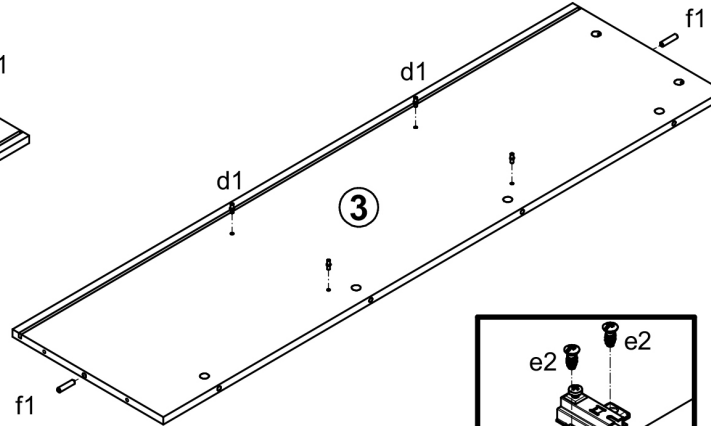
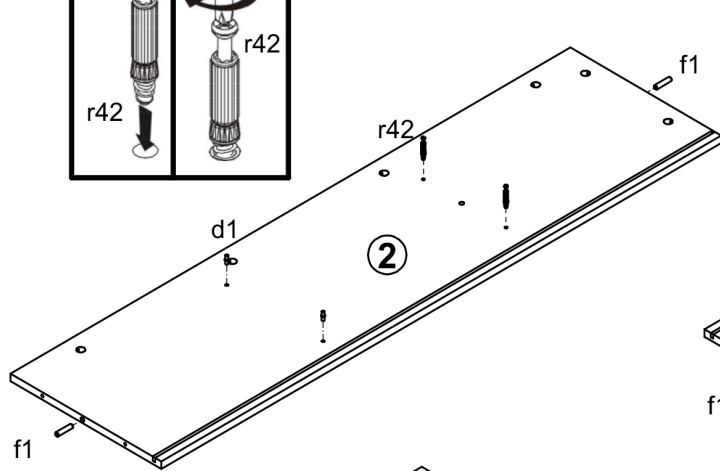
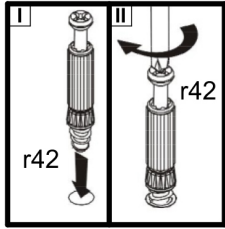
8x a99	2x a44	2x b19	8x b43	5x L=96/128 mm c235	16x ø5x17 mm d1	8x ø 5x17 mm d3	28x ø 7x50 mm e1	22x ø 6,3x13 mm e2	4x ø6,3x13 mm e5	4x ø5x11 mm e4	32x ø8x30 mm f1	20x ø8x50 mm f6
6x ø10x50 mm f35	2x g2	11x ø48/10mm k43	12x l1	52x l2	2x L-236 m3	23x 20x13x3,5/1mm n108	2x n122	2x o1	6x ø3,5x13 mm p1	8x ø4x30 mm p9	4x ø4x30 mm p21	2x ø4x12 mm p59
20x ø3,5x15 mm p51	23x ø2,9x16 mm p55	4x ø6x60 mm p75	85x ø15x12mm #16 r1	85x 20/11 r42	4x s1	26x ø16 s2	2x s67	1x z1	2x 81x21x15/1,5mm n14	2x ø5x60 mm p17	4x ø3,5x16 mm p38	



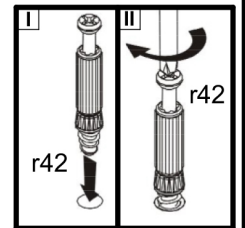
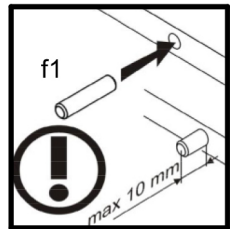
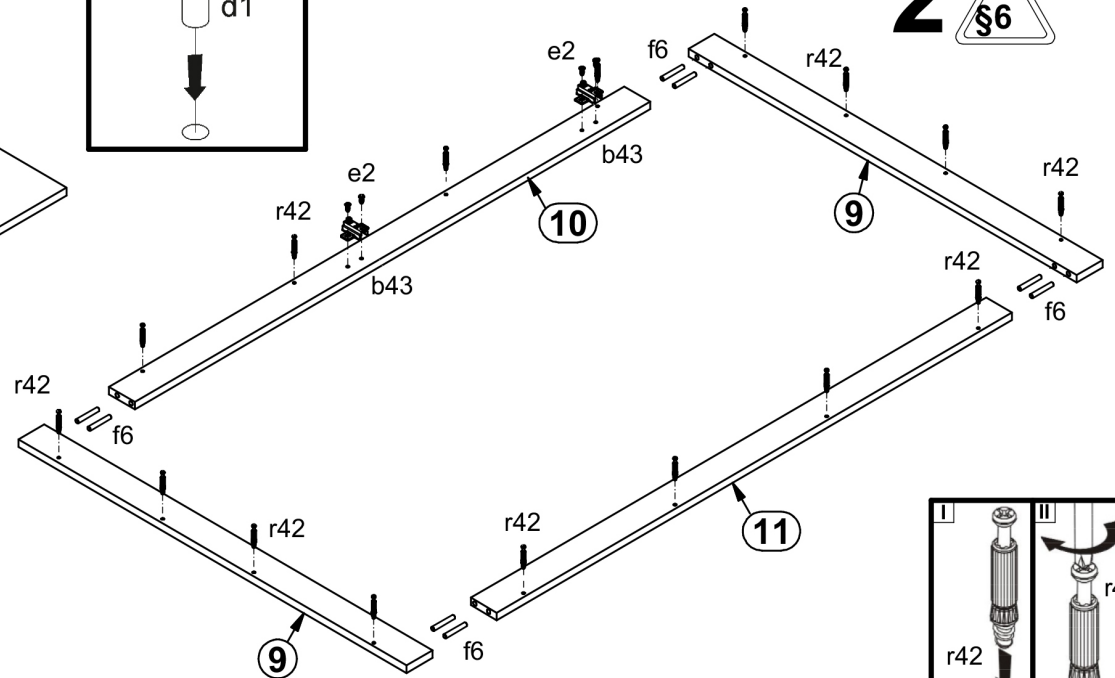
A	B	C (mm)		D
1	N17-003	740	335	3/4
2	N17-105	1160	320	3/4
3	N17-106	1160	320	3/4
4	N17-107	1160	300	3/4
5	N17-203	799	320	3/4
6	N17-204	799	320	3/4
7	N17-303	375	300	3/4
8	N17-304	375	300	3/4
9	N17-504	800	60	3/4
10	N17-505	1073	60	3/4
11	N17-506	1073	60	3/4
12	N17-902	1186	387	3/4
13	N17-903	1186	387	3/4



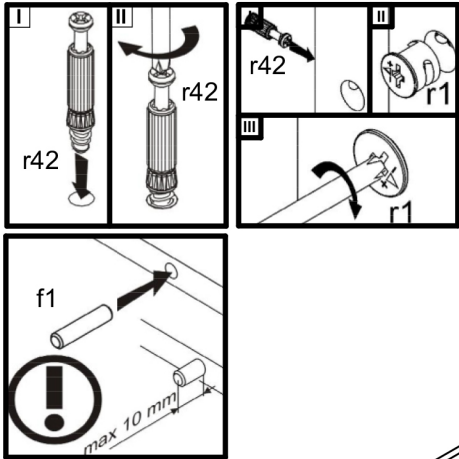
1



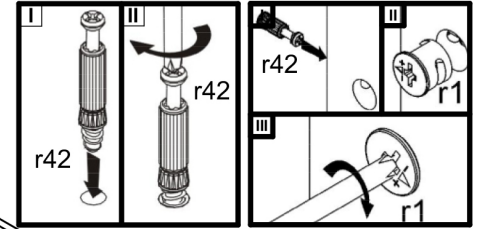
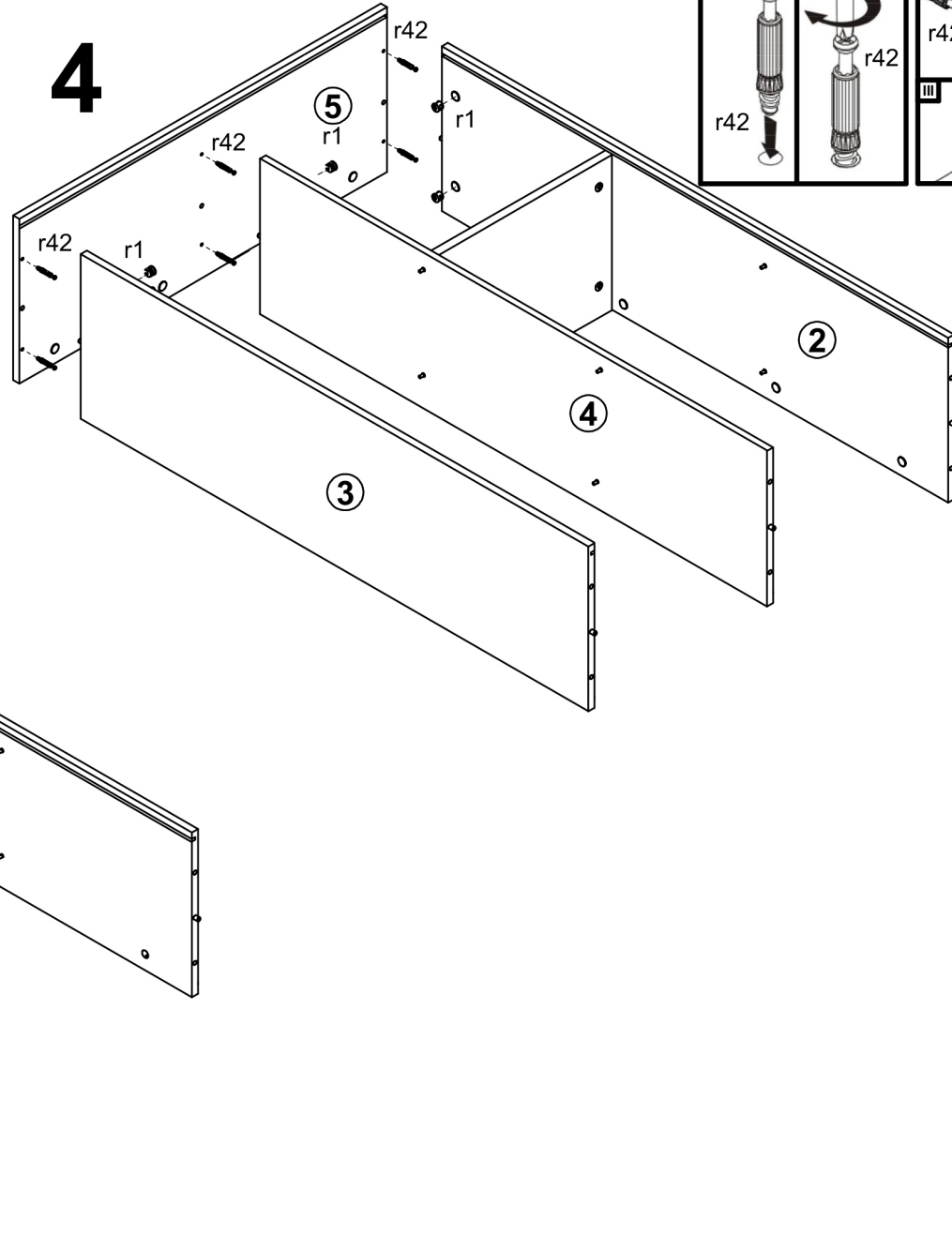
2

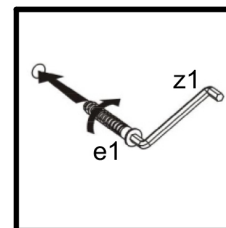
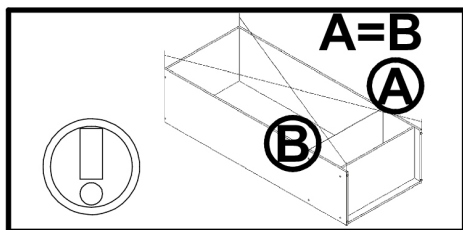
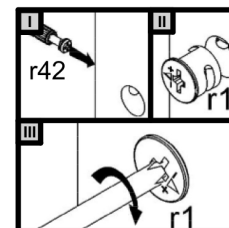
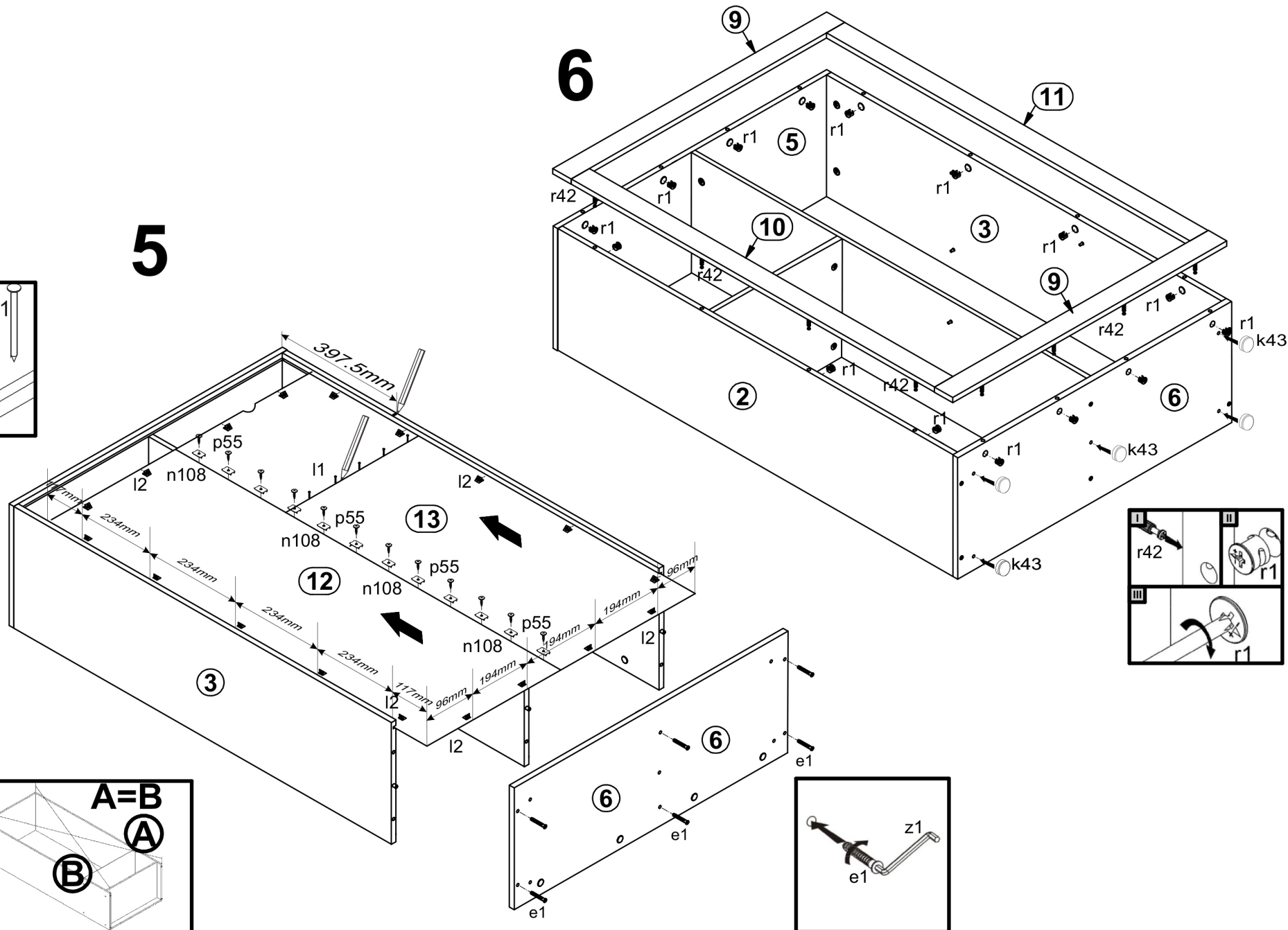
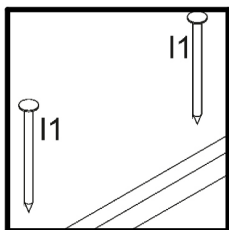


3

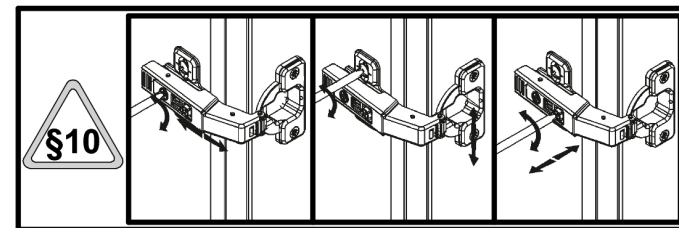
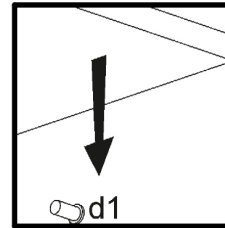
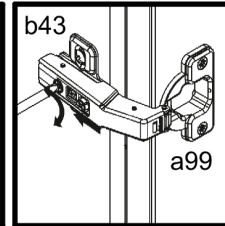
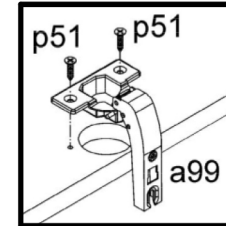
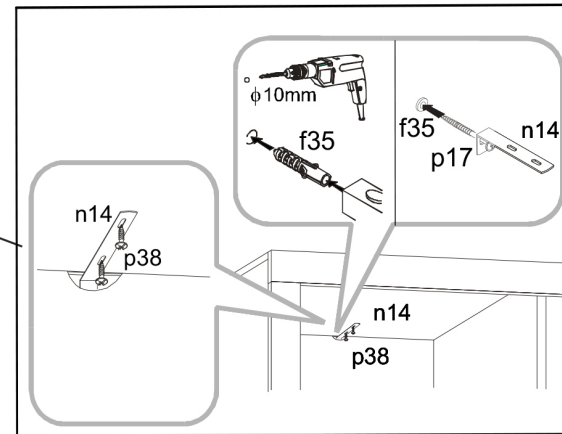
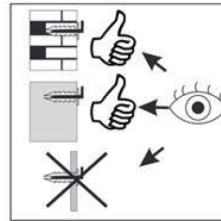
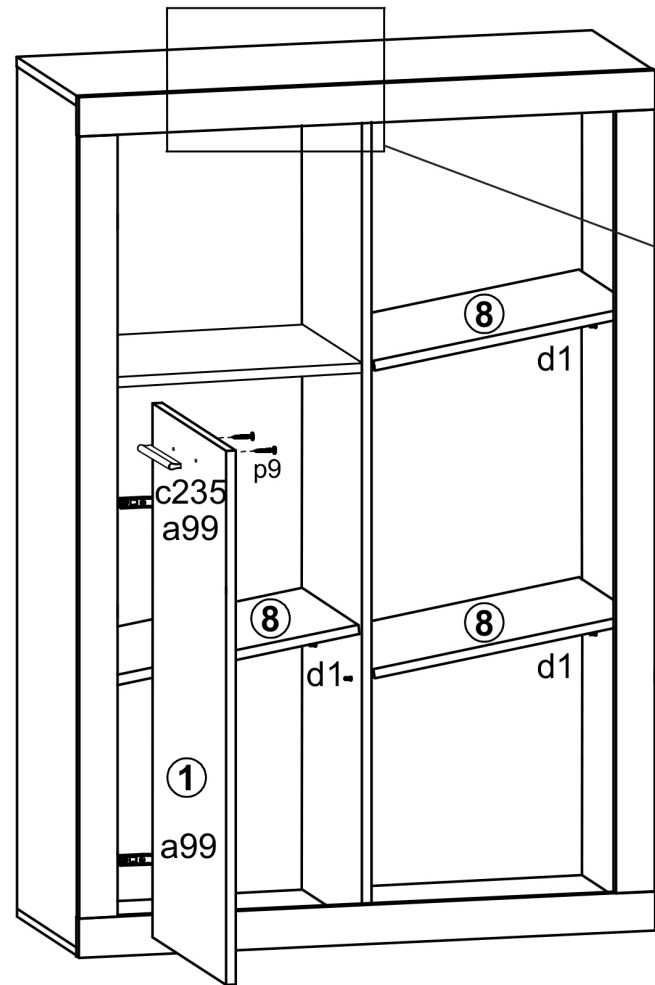


4



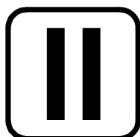
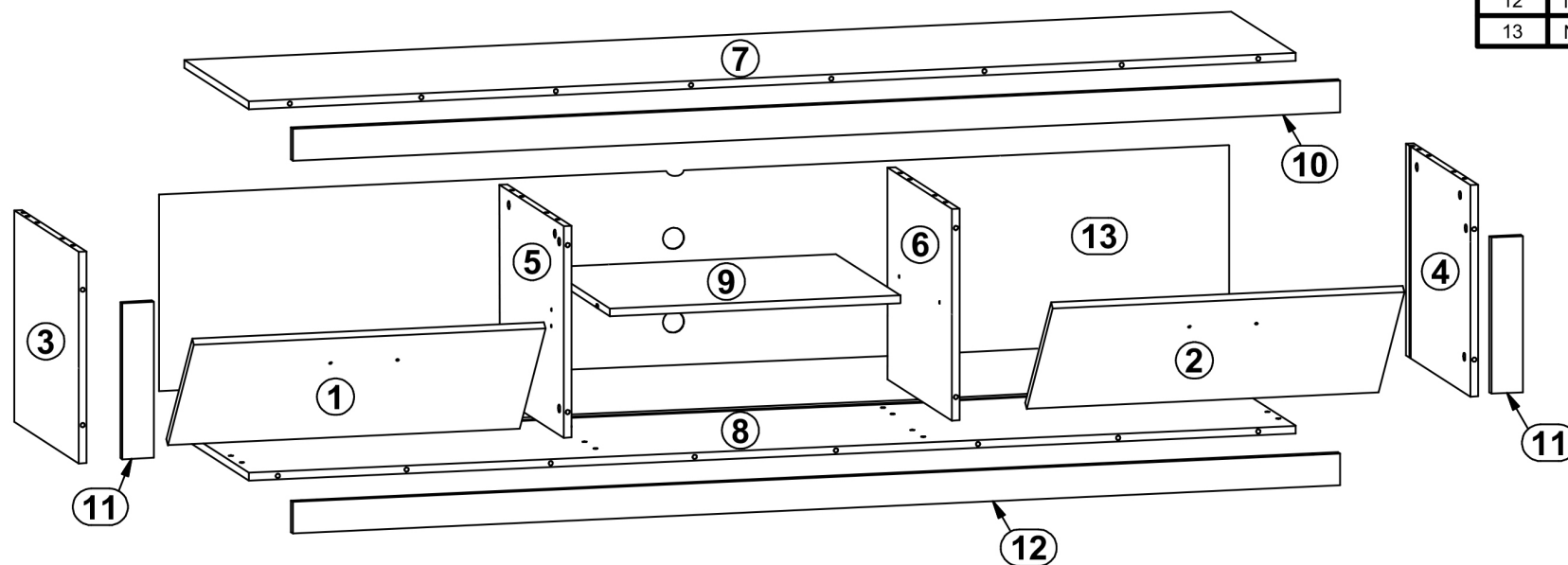
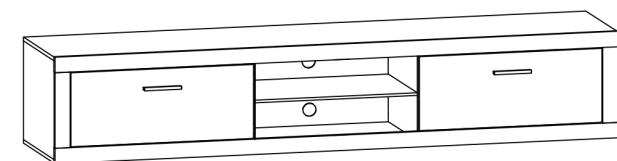


7

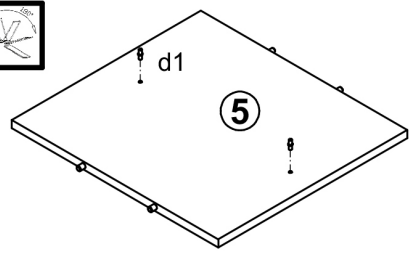
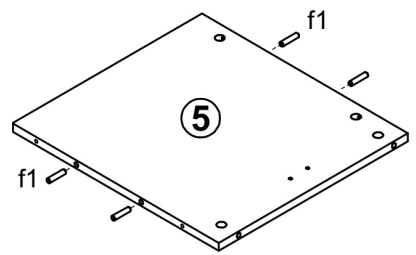
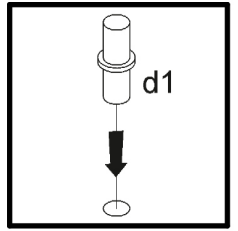
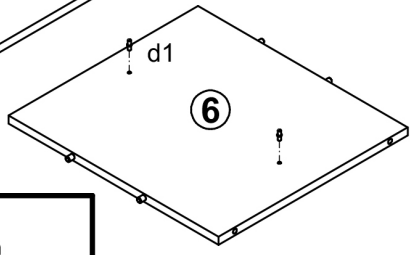
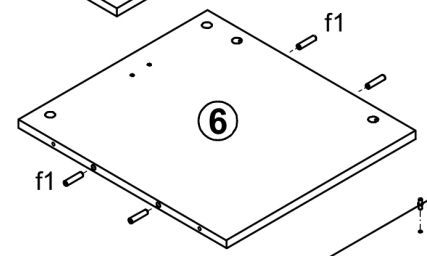
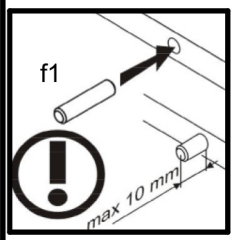
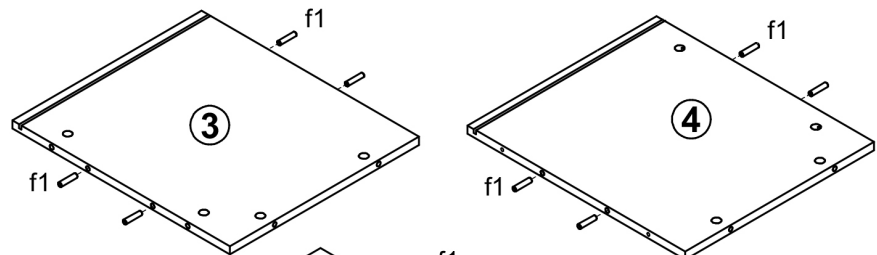




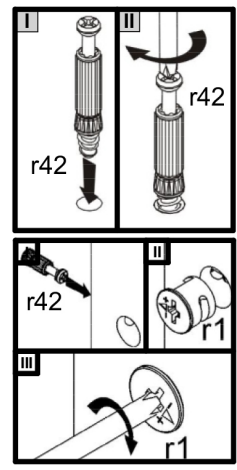
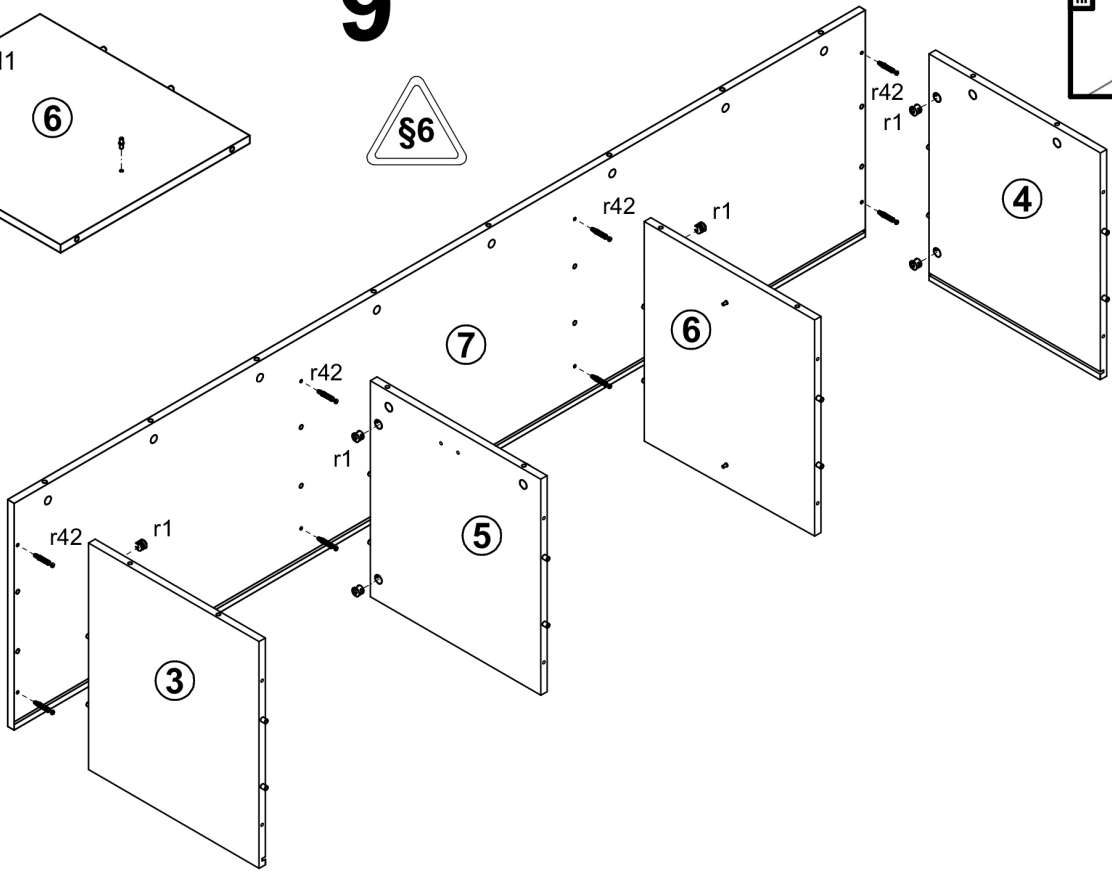
A	B	C (mm)		D
1	N17-001	600	267	1/4
2	N17-002	600	267	1/4
3	N17-101	360	380	2/4
4	N17-102	360	380	2/4
5	N17-103	360	360	2/4
6	N17-104	360	360	2/4
7	N17-201	1899	380	1/4
8	N17-202	1899	380	1/4
9	N17-302	558	360	1/4
10	N17-501	1900	60	1/4
11	N17-502	273	60	1/4
12	N17-503	1900	60	1/4
13	N17-901	1892	370	1/4



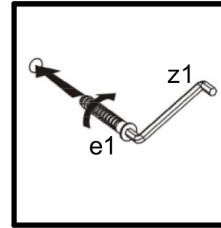
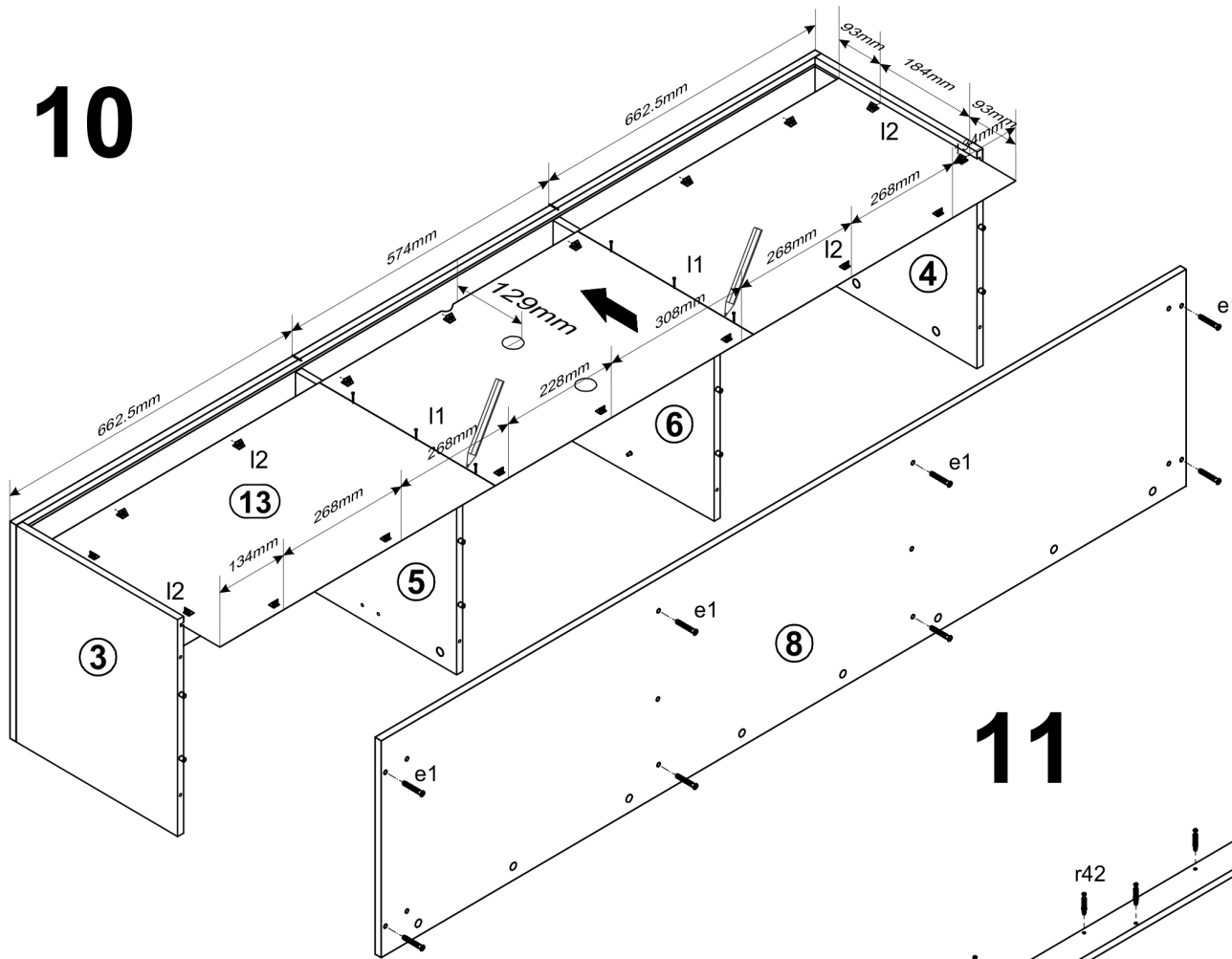
8



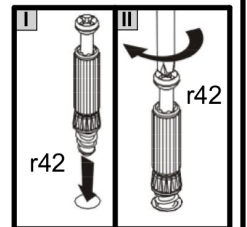
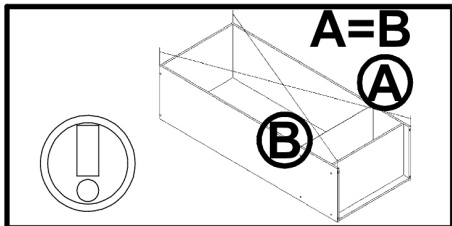
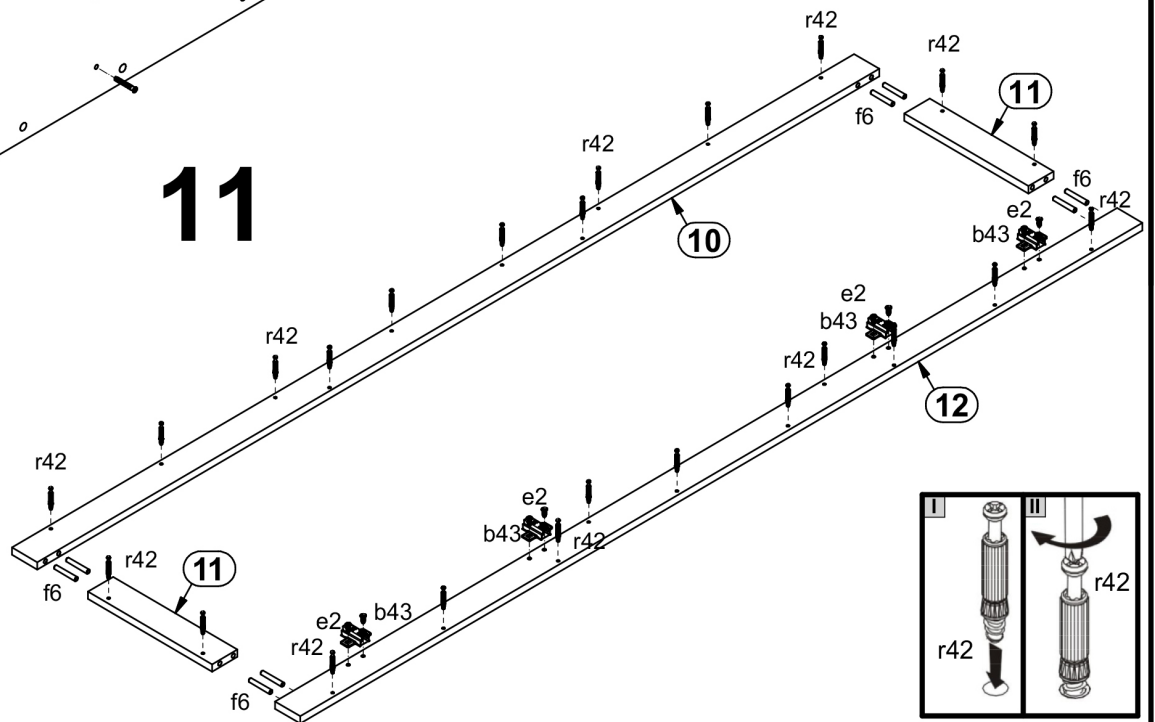
9



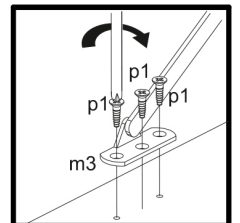
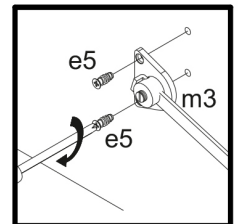
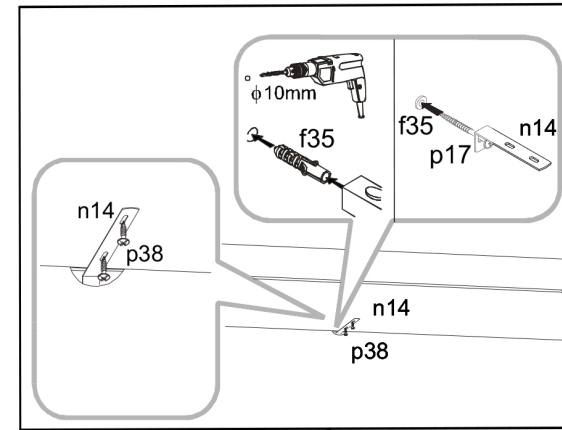
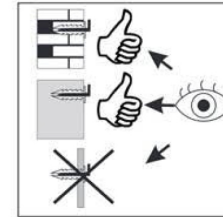
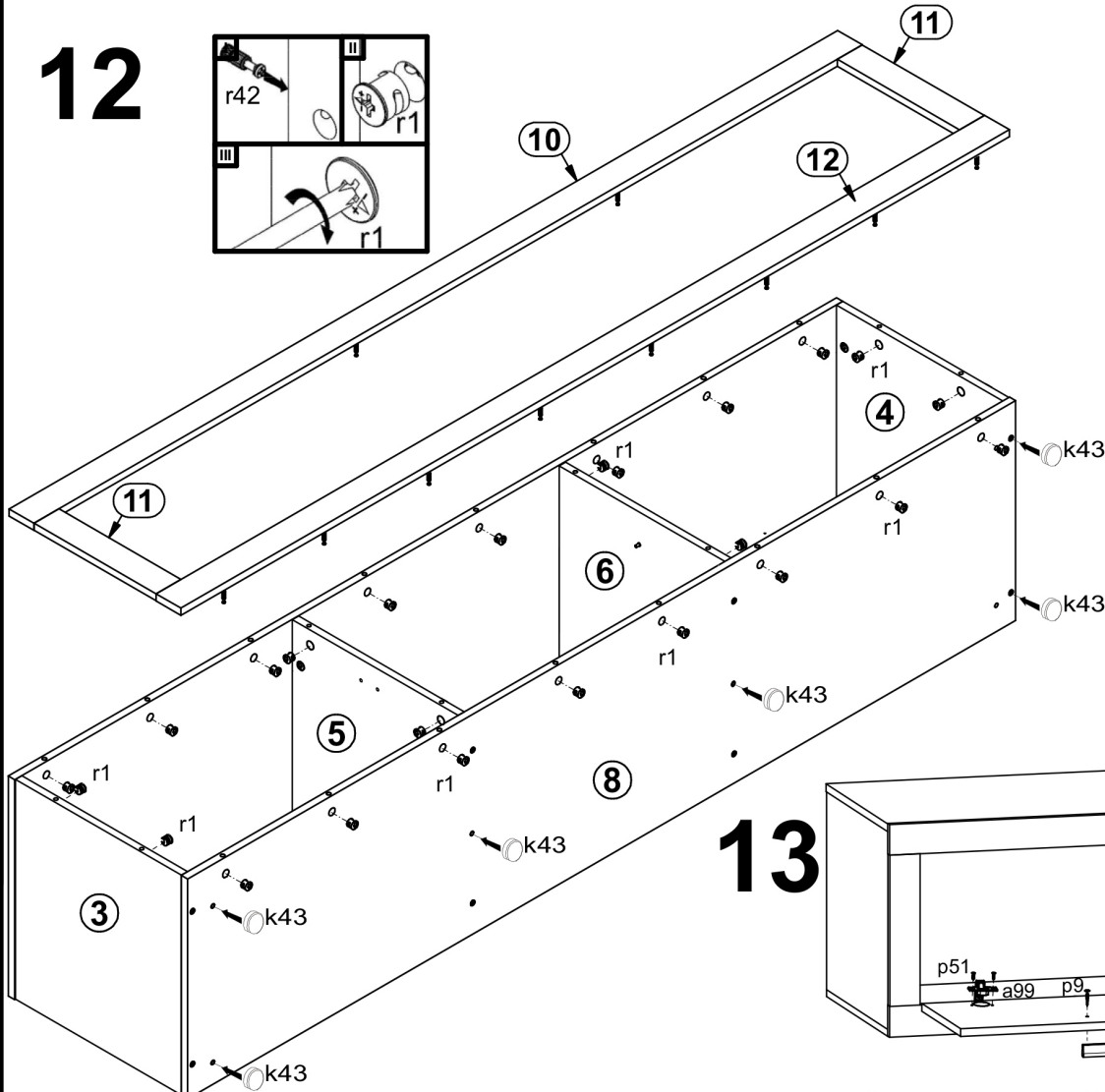
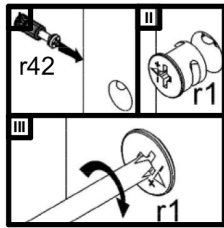
10



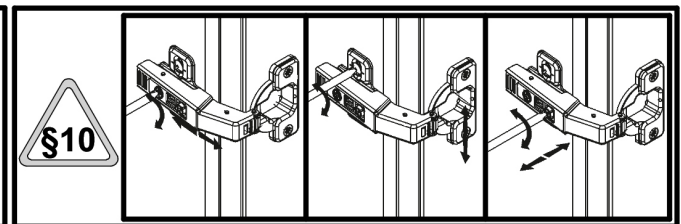
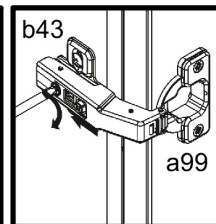
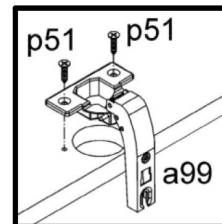
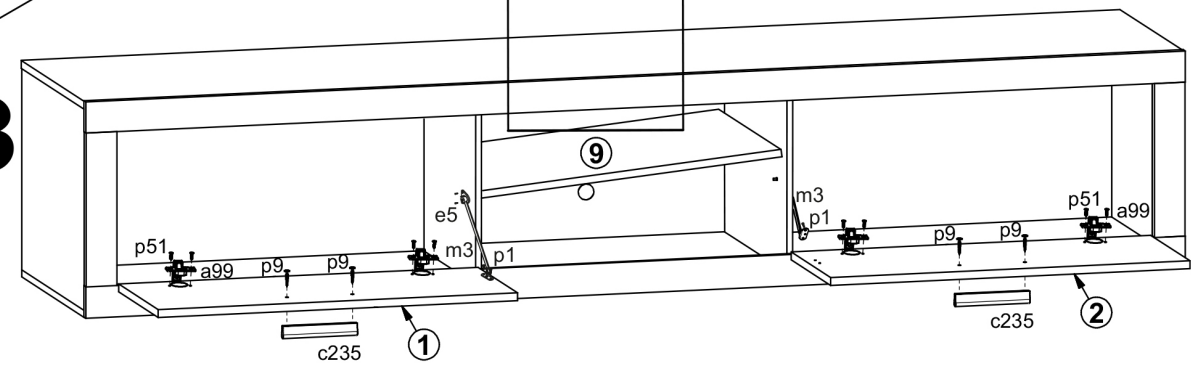
11

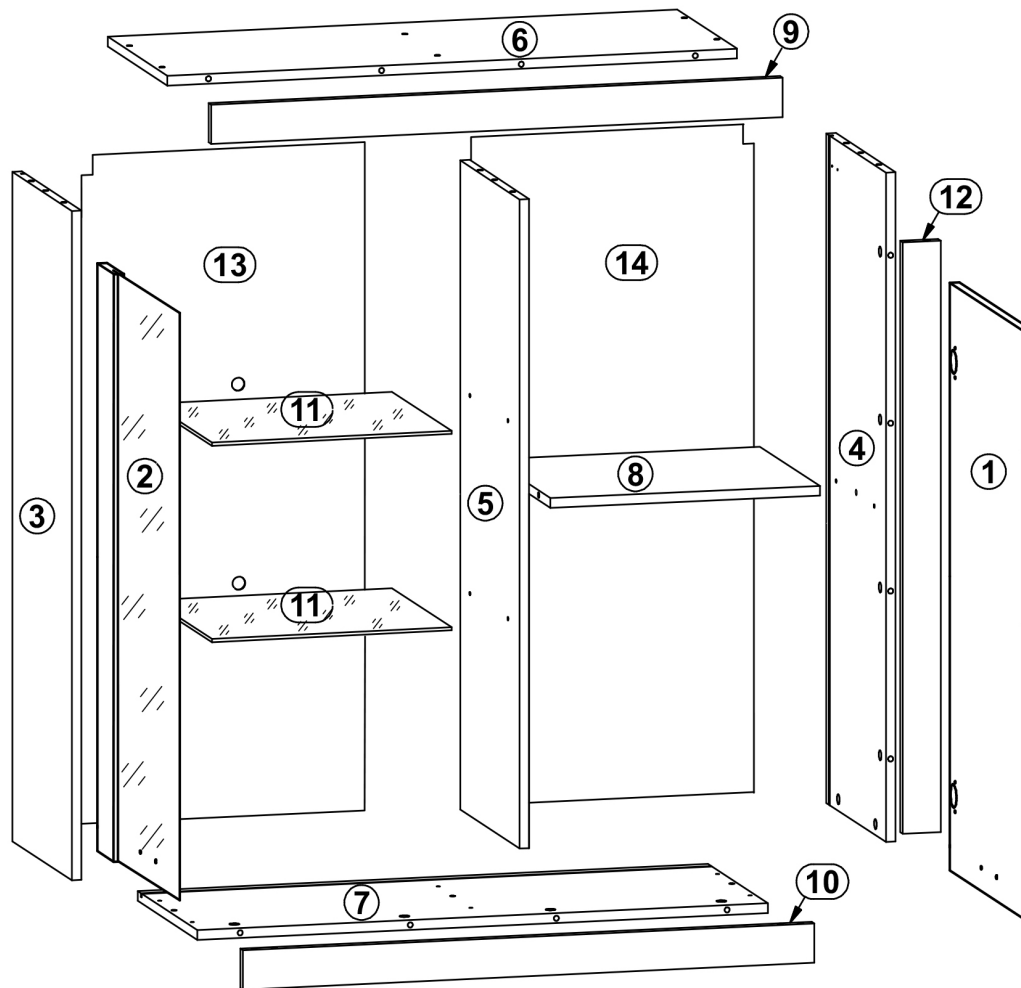


12



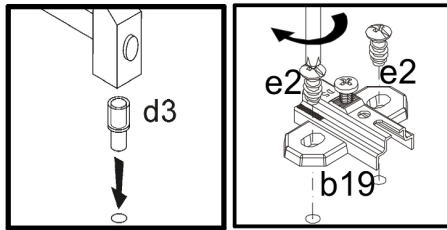
13



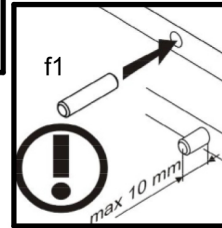
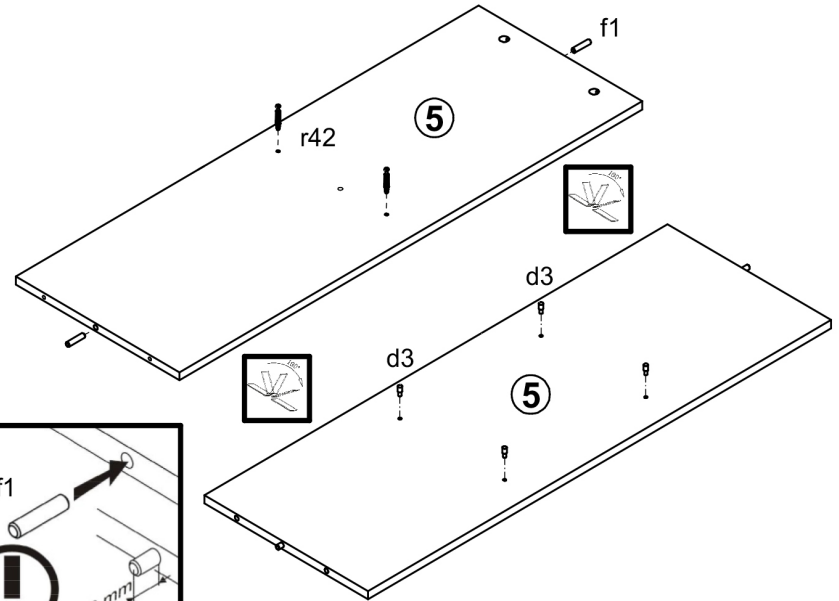
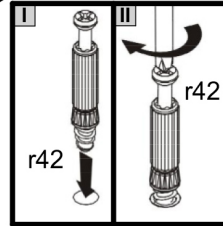
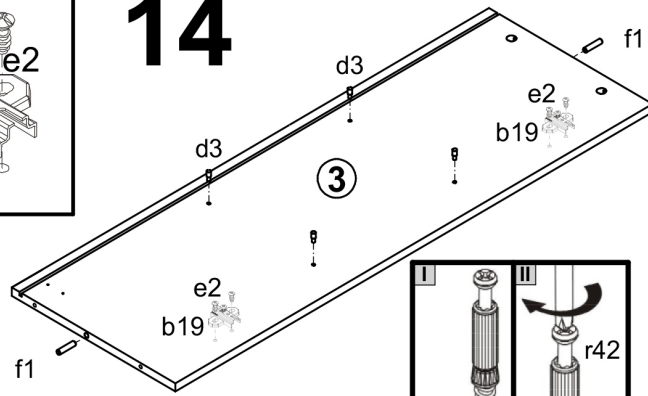


A	B	C (mm)		D
1	N17-004	875	335	4/4
2	N17-005	875	335	4/4
3	N17-108	968	284	4/4
4	N17-109	968	284	4/4
5	N17-110	968	264	4/4
6	N17-205	799	284	4/4
7	N17-206	799	284	4/4
8	N17-307	375	264	4/4
9	N17-511	800	60	4/4
10	N17-512	800	60	4/4
11	N17-514	375	256	4/4
12	N17-516	881	60	4/4
13	N17-904	978	387	4/4
14	N17-906	978	387	4/4

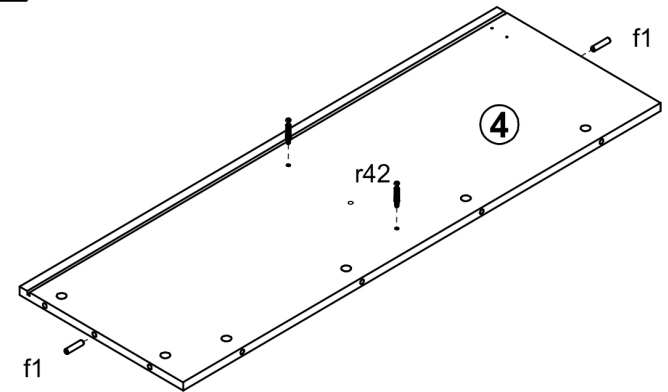
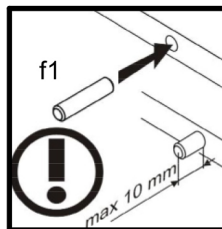
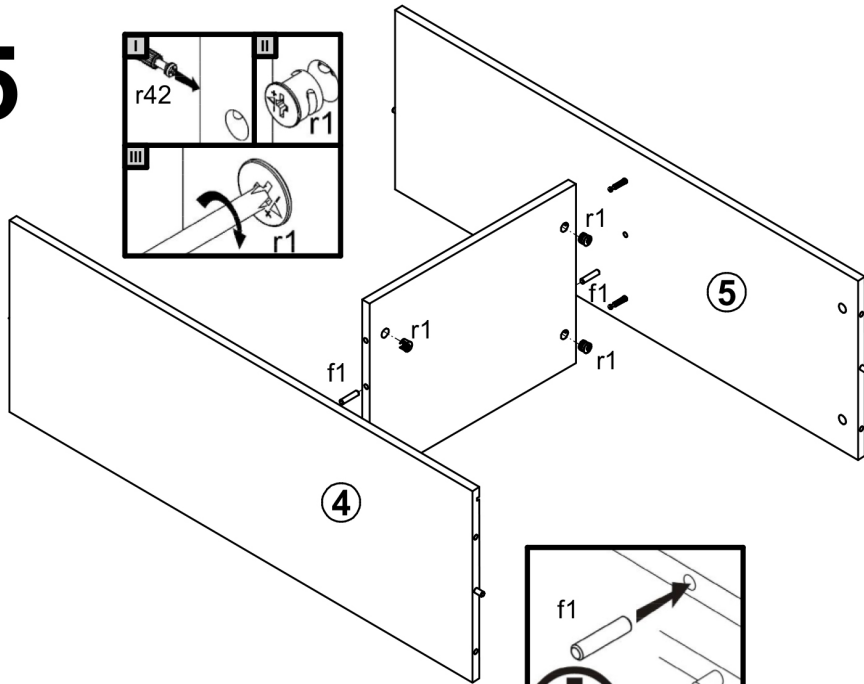
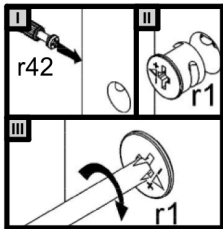




14

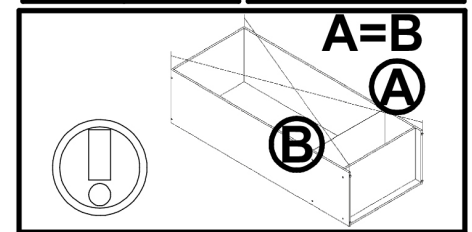
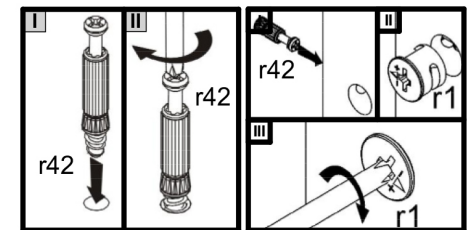
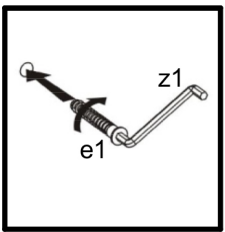
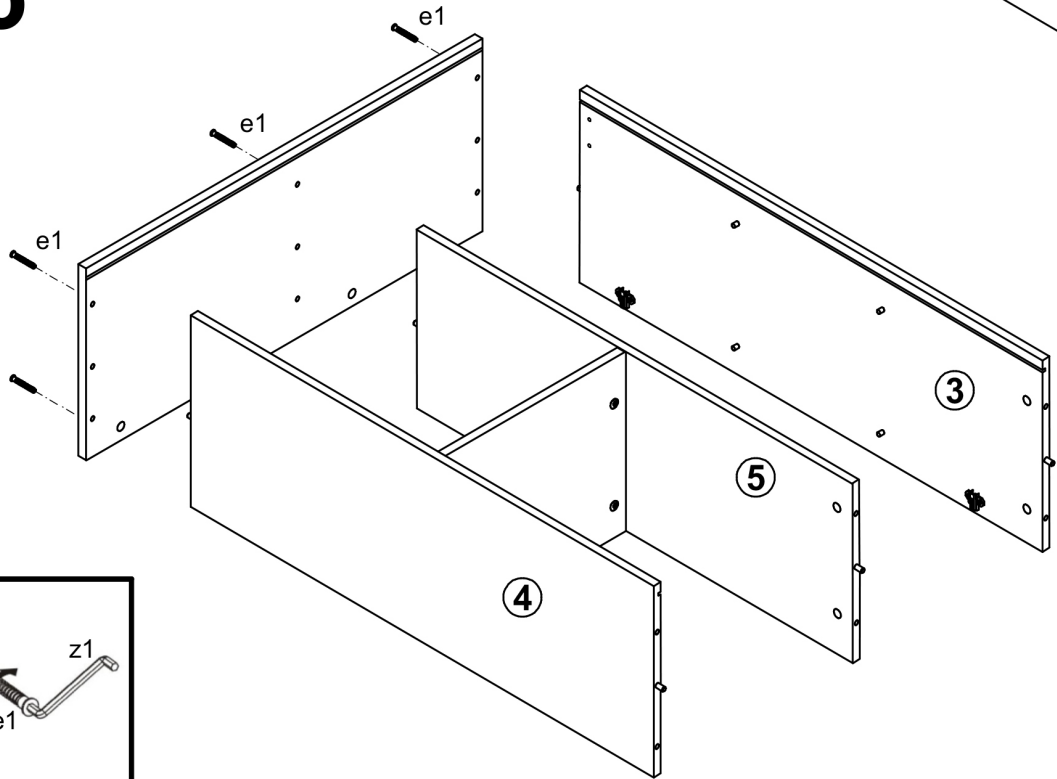
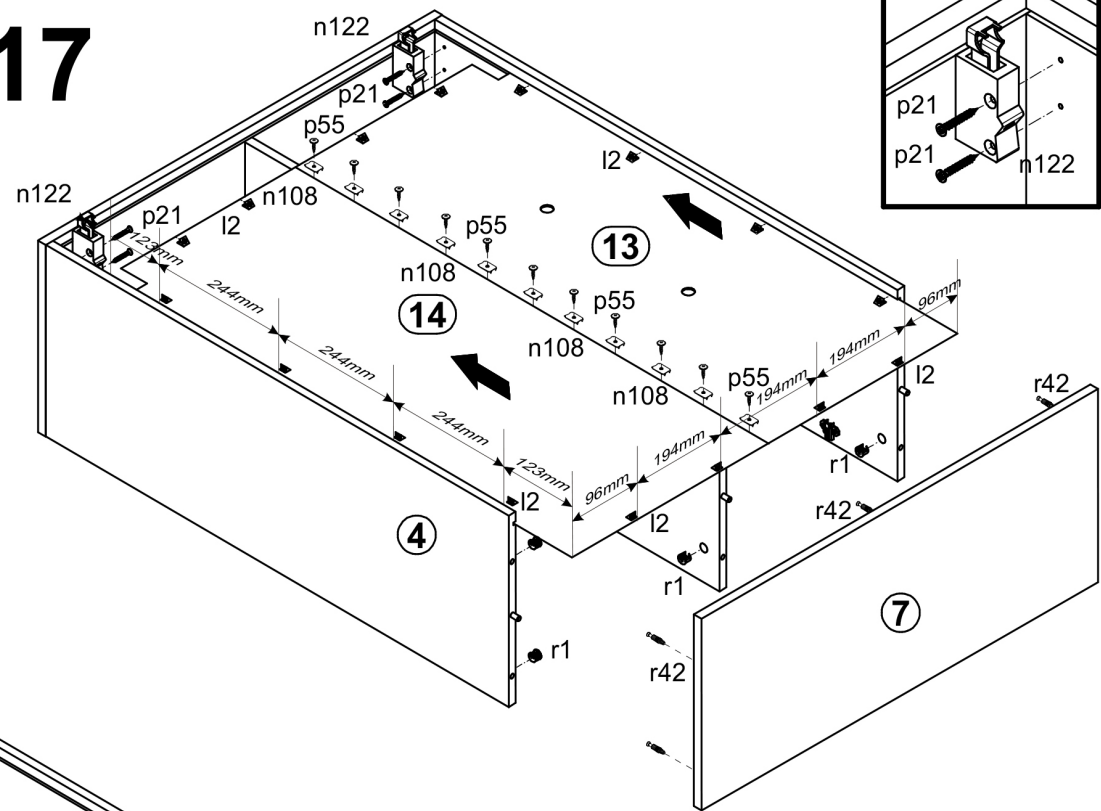
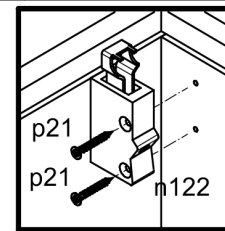


15

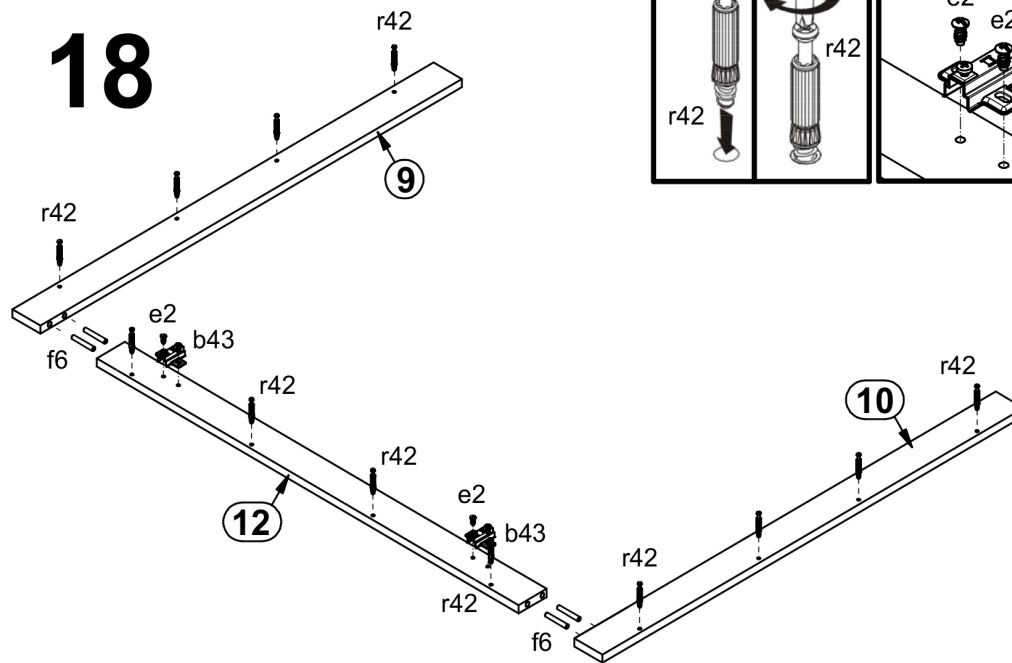
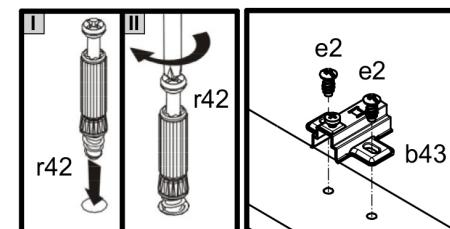


17

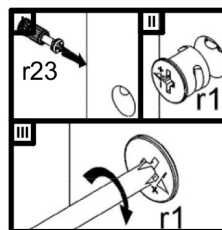
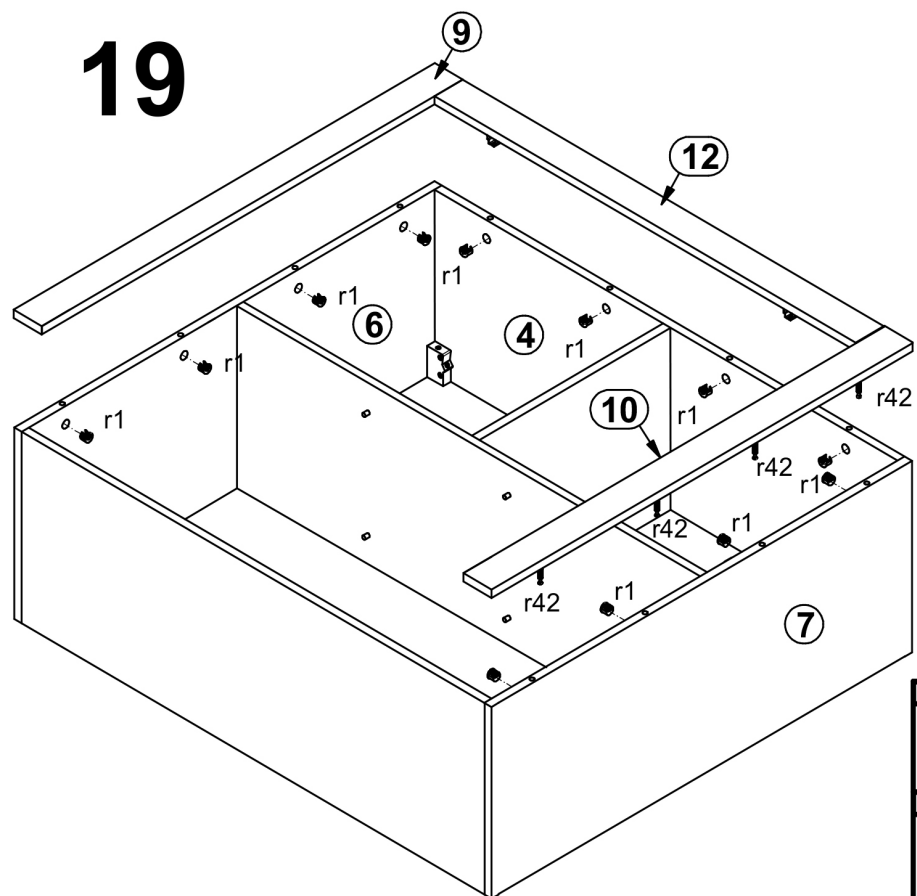
16



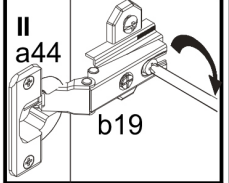
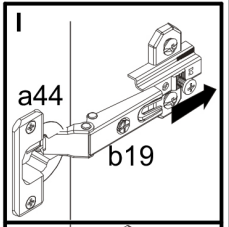
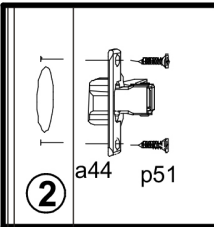
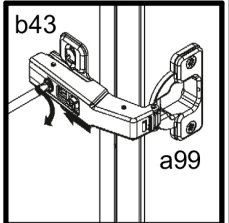
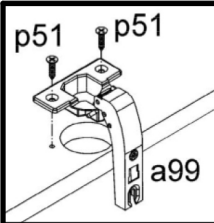
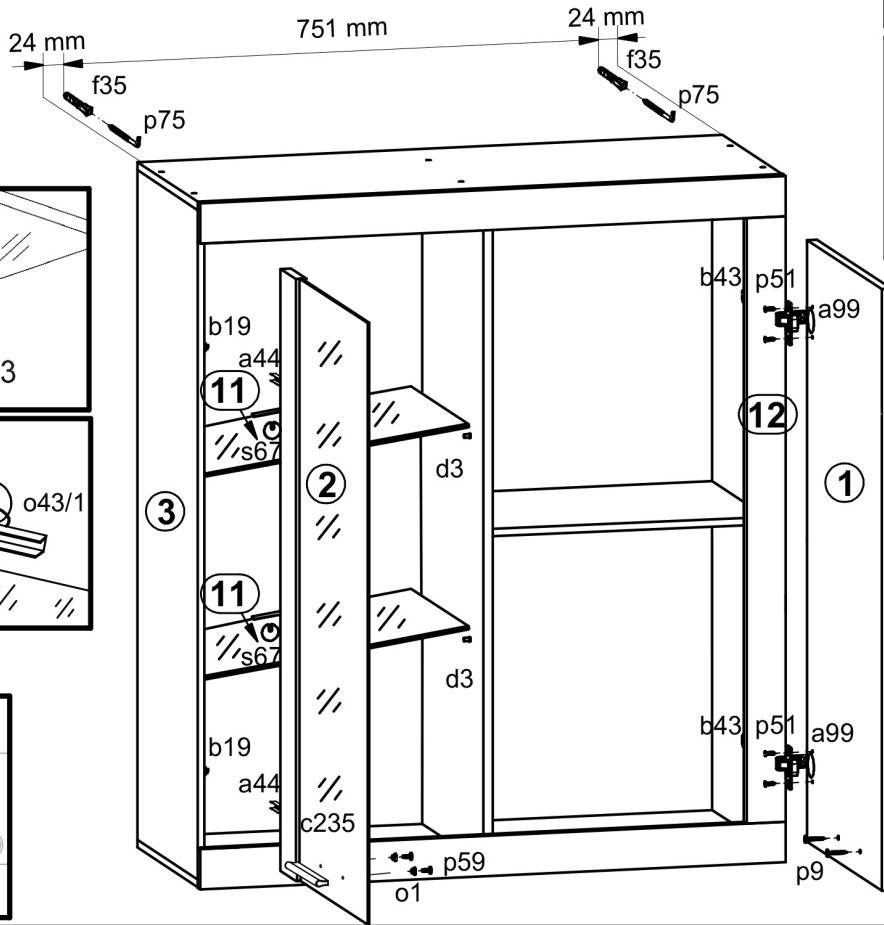
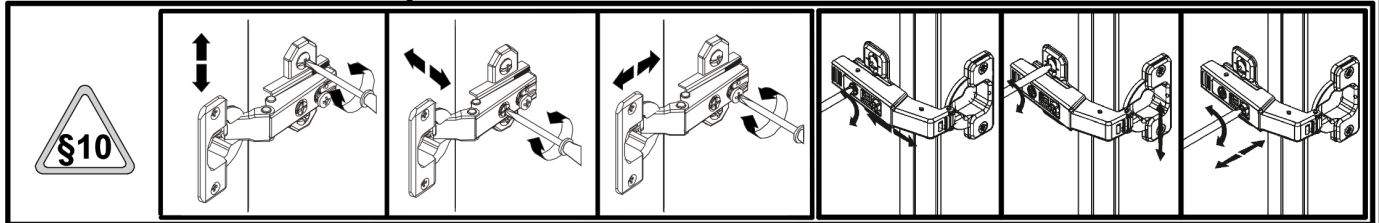
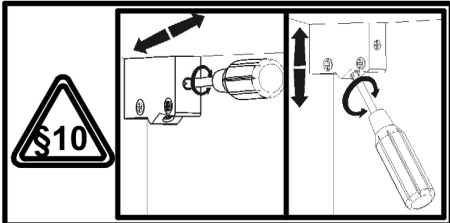
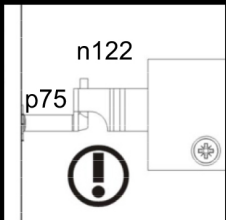
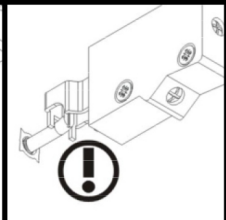
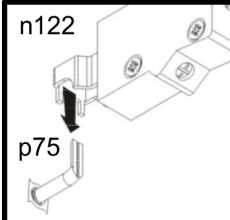
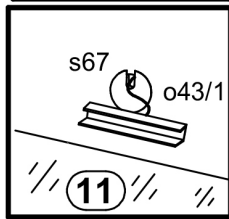
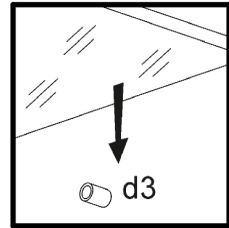
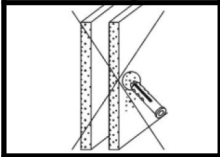
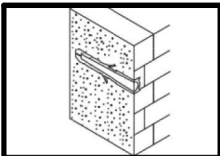
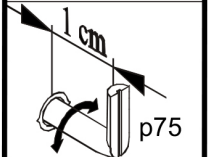
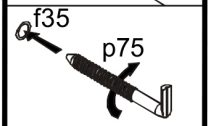
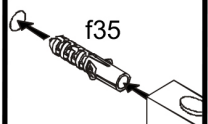
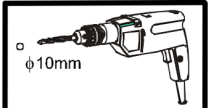
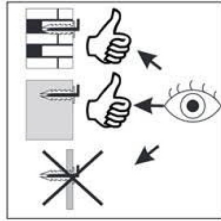
18

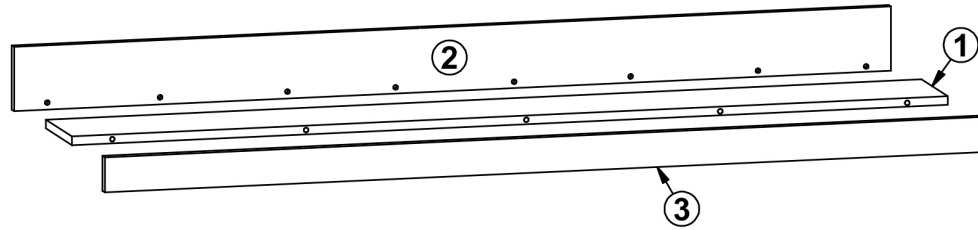


19



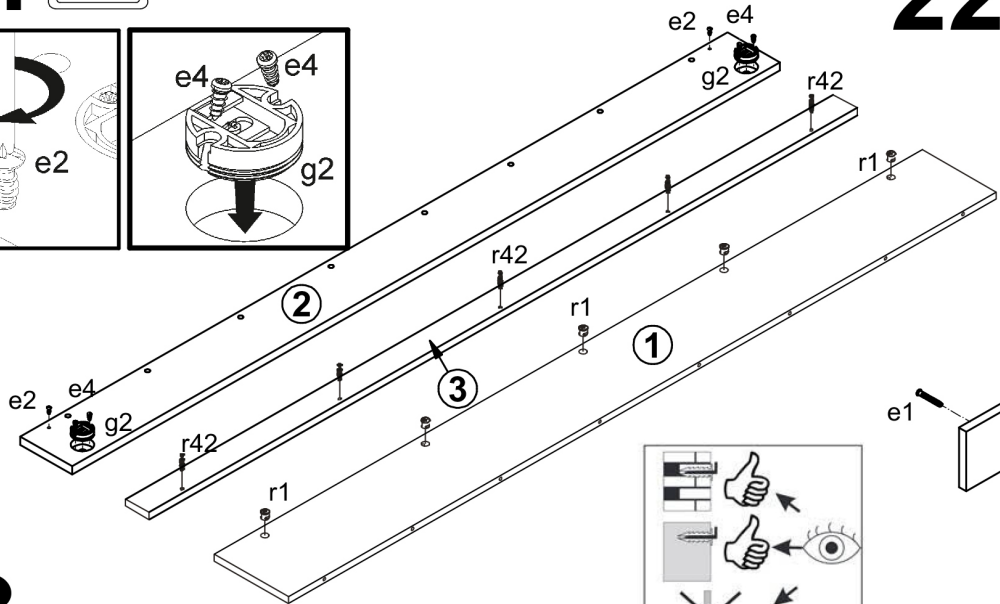
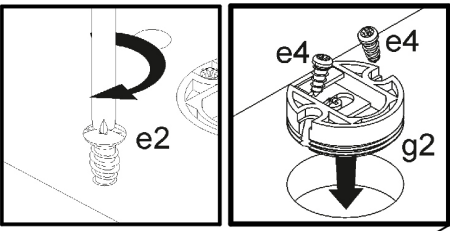
20



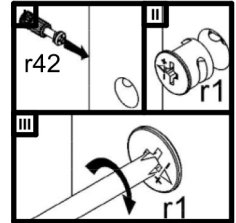
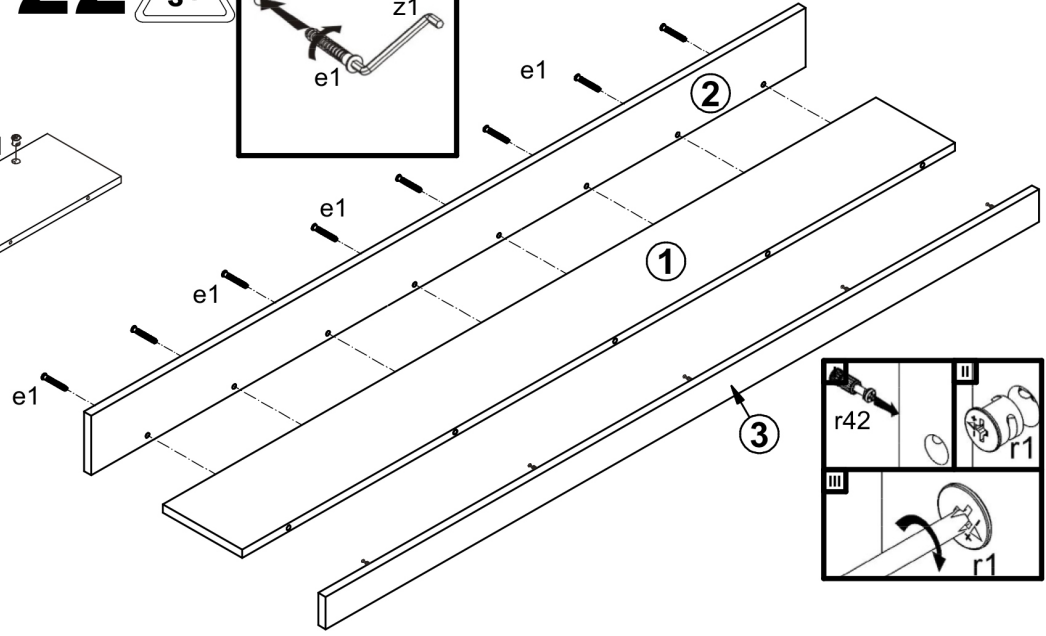
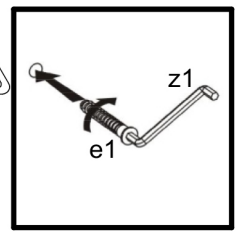


A	B	C (mm)		D
1	N17-306	1500	158	2/4
2	N17-509	1500	108	2/4
3	N17-510	1500	60	2/4

21



22



23

